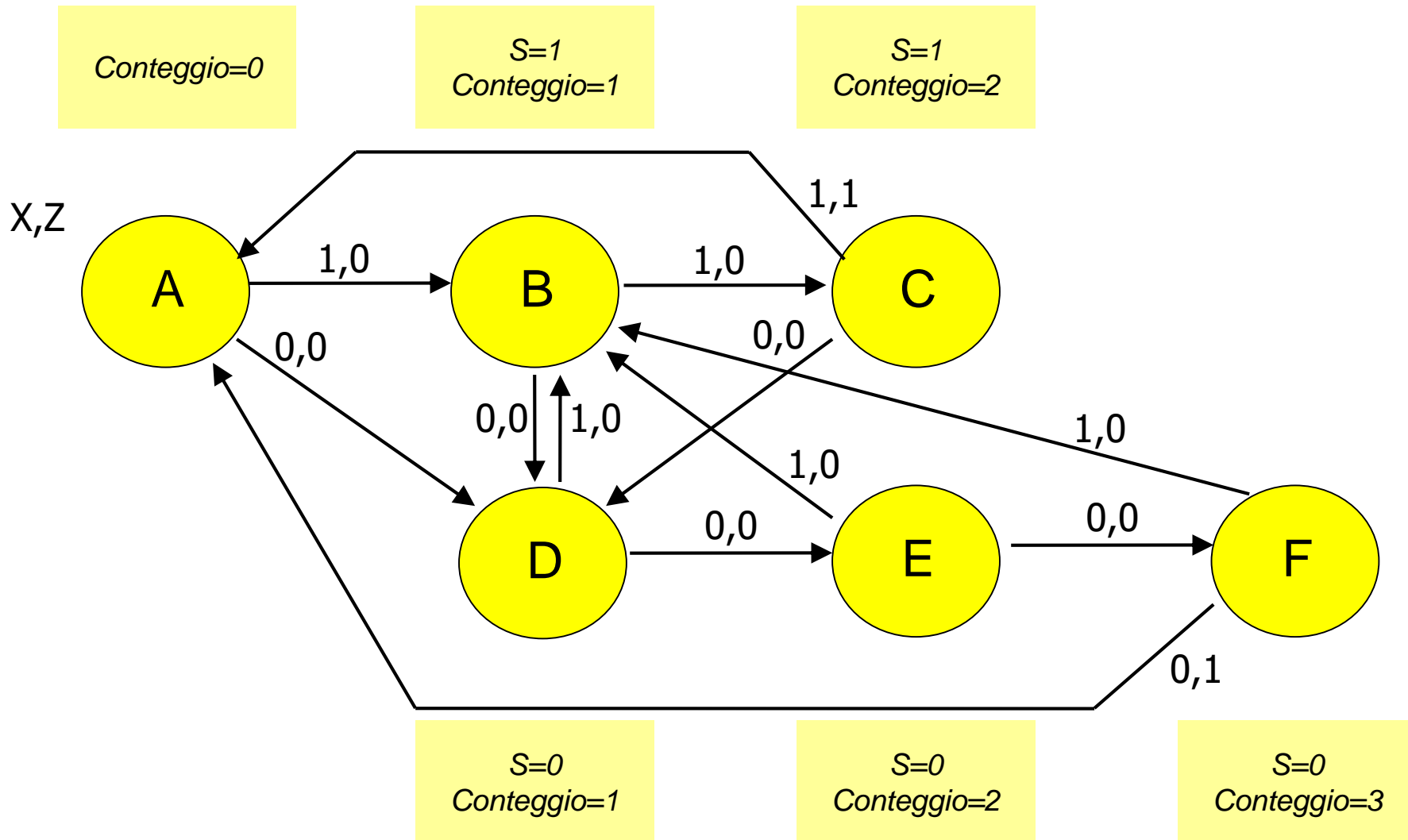


Esercizio 1.1



Esercizio 1.2 – TdF e TdT

s.p.

	X	
	0	1
A	D,0	B,0
B	D,0	C,0
C	D,0	A,1
D	E,0	B,0
E	F,0	B,0
F	A,1	B,0

s.f., Z

	X	
$Y_2Y_1Y_0$	0	1
A=000	010,0	001,0
B=001	010,0	011,0
C=011	010,0	000,1
D=010	100,0	001,0
E=100	101,0	001,0
F=101	000,1	001,0
111	-,-	-,-
110	-,-	-,-

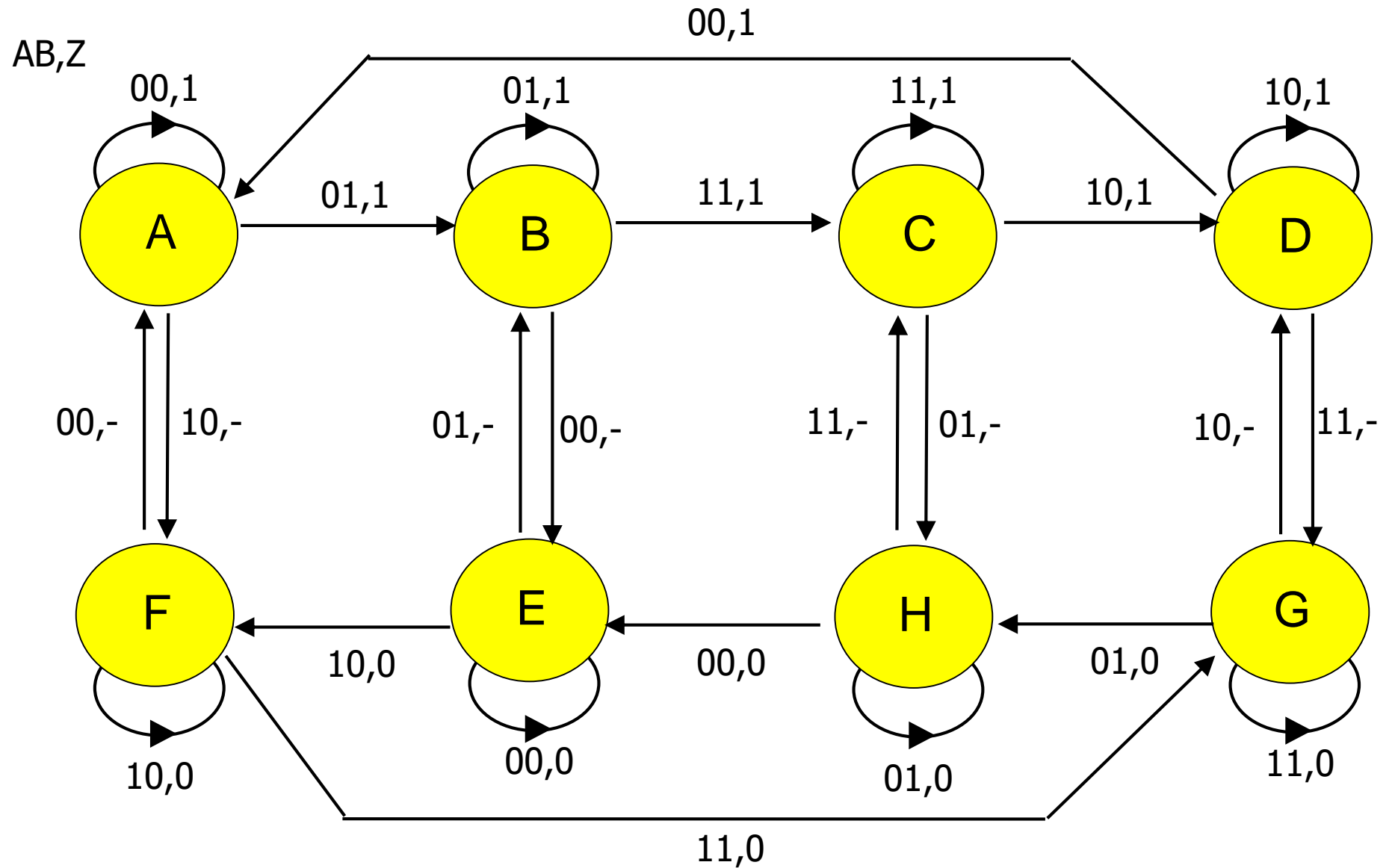
$Y_2Y_1Y_0, Z$

Esercizio 1.3 – Mappe di Karnaugh

		$y_2 X$			
		00	01	11	10
$y_1 y_0$	00	0	0	0	0
	01	0	0	0	1
	11	0	1	-	-
	10	0	0	-	-

$$Z = y_2 y_0 X' + y_1 y_0 X$$

Esercizio 2.1 - GdS



Esercizio 2.2 – Tabella triangolare e CMC

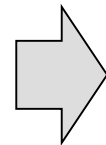
s.p.

		A B			
		00	01	11	10
A	A,1	B,1	-, -	F, -	
B	E, -	B,1	C,1	-, -	
C	-, -	H, -	C,1	D,1	
D	A,1	-, -	G, -	D,1	
E	E,0	B, -	-, -	F,0	
F	A, -	-, -	G,0	F,0	
G	-, -	H,0	G,0	D, -	
H	E,0	H,0	C, -	-, -	

s.f., Z

B	AE						
C	DF BH	BH					
D	DF	AE CG	CG				
E							
F					EA		
G					BH FD	FD	
H					BH	AE CG	CG
	A	B	C	D	E	F	G

AF, BE, CH, DG

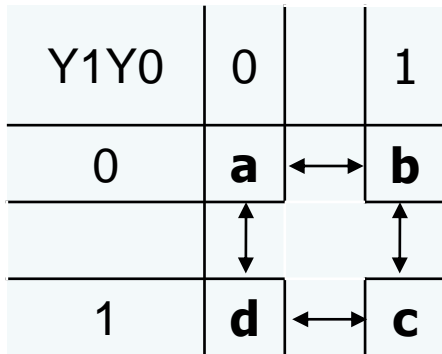


a={AF}, b={BE},
c={CH}, d={DG}

Esercizio 2.2 – TdF automa minimo

		A B			
		00	01	11	10
s.p.	a	a,1	b,1	d,0	a,0
	b	b,0	b,1	c,1	a,0
	c	b,0	c,0	c,1	d,1
	d	a,1	c,0	d,0	d,1
		s.f., Z			

Esercizio 2.3 – Grafo adiacenze e TdT



Non vi sono corse

		AB			
		00	01	11	10
y1y0	a = 00	00,1	01,1	10,0	00,0
	b = 01	01,0	01,1	11,1	00,0
	c = 11	01,0	11,0	11,1	10,1
	d = 10	00,1	11,0	10,0	10,1
		Y1Y0, Z			

Esercizio 2.4 – Mappe di Karnaugh

		AB			
		00	01	11	10
Y ₁ Y ₀	00	0	1	0	0
	01	1	1	1	0
	11	1	1	1	0
	10	0	1	0	0

Y₀

$$Y_0 \text{ (PS)} = (A'+B) (B+y_0) (A'+y_0)$$

Esercizio 2.4 – Mappe di Karnaugh

		AB			
		00	01	11	10
Y ₁ Y ₀	00	0	0	1	0
	01	0	0	1	0
	11	0	1	1	1
	10	0	1	1	1

Y₁

$$Y_1 \text{ (PS)} = (A+B) (y_1+A) (B+y_1)$$

Esercizio 2.5 – Sintesi diretta

